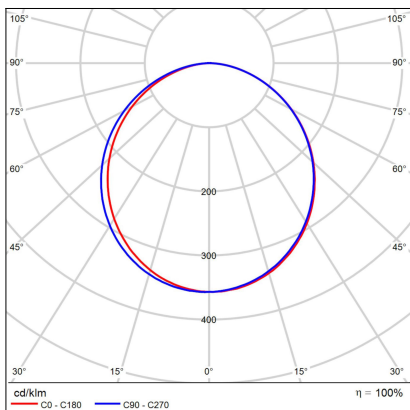
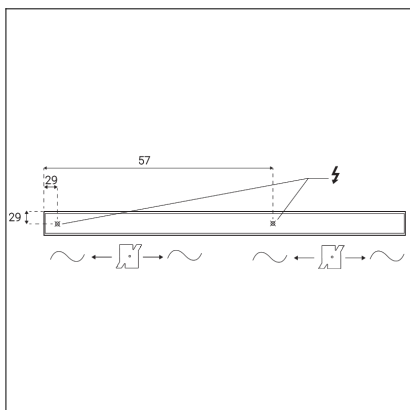
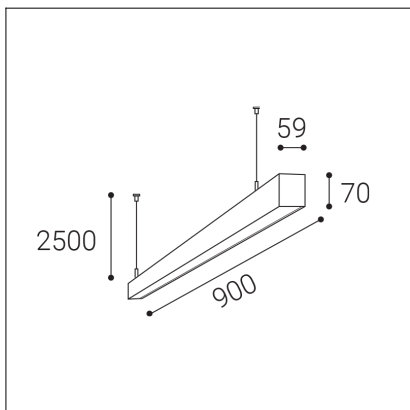


NOLI II 90 P-Z, W



Code:	3237951
Color:	WHITE / 9016
Material:	ALUMINIUM/PS
Power:	15-30W
Color temperature:	3000K/3500K/4000K
Lumen output:	1650-3300lm
Efficacy:	110lm/W
Color rendering index:	90+
SDCM:	< 3
Light beam angle:	110°
Light Source:	LED
Dimmable:	ON/OFF
LED lifetime:	L70B20 50.000h
Driver:	375-750 mA
Voltage / Frequency:	220-240V AC, 50-60Hz
Max. units per circuit output:	B10:12, B13:15, B16:18, B20:23, C10:20, C13:25, C16:30, C20:40
Dimensions luminaire:	900x59x70 mm
Product weight kg:	1.3
Length suspension:	2500 mm
Package dimensions:	910x70x80 mm

